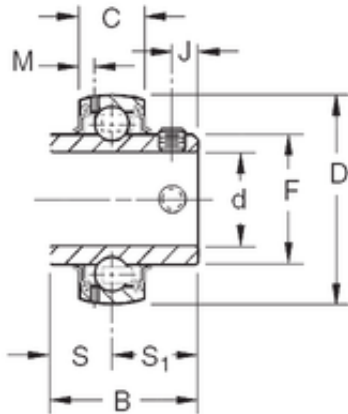




Machinery Parts Co., Ltd.

74,6125 mm x 140 mm x 77,80 mm TIMKEN GYM1215KRRB Insert Bearings Spherical OD



Bearing No. GYM1215KRRB

Size	74.6125x140x77.80 mm
Bore Diameter	74,6125 mm
Outer Diameter	140 mm
Width	77,80 mm
d	74,6125 mm
D	140 mm
B	77,80 mm
C	29 mm
S1	44,45 mm
F	91,92 mm
J	12 mm
M	5,56 mm
S	33,32 mm
Thread (G)	M12x1,75
Weight	3,087 Kg
Basic dynamic load rating (C)	80,2 kN

GYM1215KRRB Bearing 2D drawings and 3D CAD models